

- Capacitive Micro Machined
- 9~30V wide range supply
- 0~5V Single Ended Output
- Simple four wire connection
- High stability and low cost
- Non Standard Ranges Available



The model A150XS is a multi-purpose accelerometer. It combined and integrated high performance sensor chip and advanced circuit technology processing which makes it with very low noise as 100ug(root Hz).

APPLICATION

- Vibration Analysis
- Tilt Measurement
- Machine Control
- Alarm System
- Vibration Monitoring
- Robotics

SPECIFICATION

A150XS	A1502S	A1510S	A1513S
Range	± 2G	± 10G	± 13G
Bias	2.5V ± 0.05V		
0 Bias Temp.	± 1.0 mg/°C		
Bandwidth -3dB	500Hz		
Sensitivity	1000mV	200mV	133mV
Sens. Bias Temp.	± 0.01%/° C		
Nonlinearity	0.1%FS		
Cross Axis Sensitivity	2.0%		
Work Temp.	-40~85° C		
Shock	2500G/0.5ms		
Sealing	IP67		

*Unless otherwise specified, Vs=12VDC, TC=25° C

SIGNALS & CABLE SPECIFICATIONS

DIGITAL OUTPUT

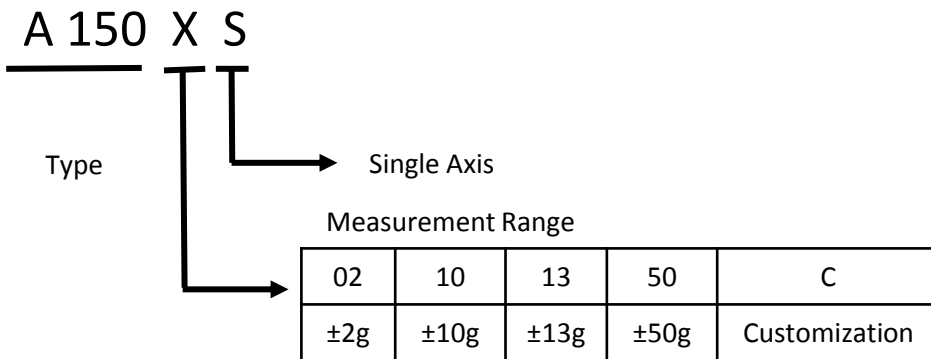
Red	Power
Black	GND
Yellow	TXD
Blue	RXD

ANALOG OUTPUT

Red	Power
Black	GND
Yellow	NC
Blue	NC
Brown	Z-axis output

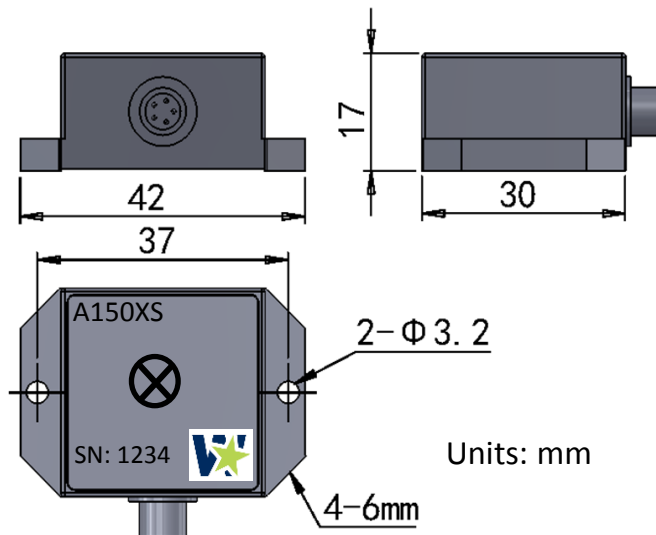


ORDERING INFORMATION



Eg. A1502S is for single axis about ±2g range with 0~5V output.

DIMENSIONS



WARRANTY

1. The date of the product from the factory warranty for 1 year, the damage suffered as a result not covered under warranty:
 - a) Removal of artificial modification.
 - b) Not required the use (such as supply voltage overload, short circuit, etc.) within the scope outlined in the manual.
2. In order to avoid a greater impact on your normal work but also delays the warranty period, please return the product to the factory, we will provide you with quality and efficient service.
3. Nova reserves the rights to improve products, product specifications and design are subject to change without notice.