

- Arbitrary installation mode can be set up
- Built in 3A relay passive output
- Measurement range, alarm and reset point programmable
- Single / dual axis alarm function and leveling function can be set up
- Convenient zero setting function



TECHNICAL SPECIFICATIONS

Parameters	MIN	Typical values	MAX
Range		$\pm 60^\circ$	360°
Repeatability		$\pm 0.1^\circ$	
Resolution		0.1°	
Zero offset		$\pm 0.1^\circ$	$\pm 0.3^\circ$
Nonlinearity		1%FS	2 %FS
0 Bias Temp.		$\pm 0.008^\circ/\text{C}$	$\pm 0.016^\circ/\text{C}$
Setting time		0.3s	0.05s
Weight	About 120g		
Volume	Width * height * length: 71*25*63 (No terminals) mm		

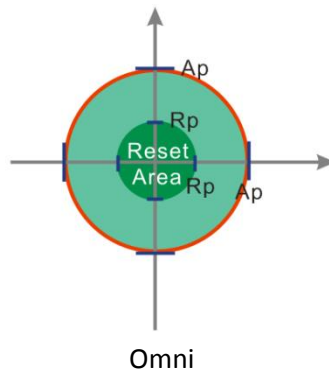
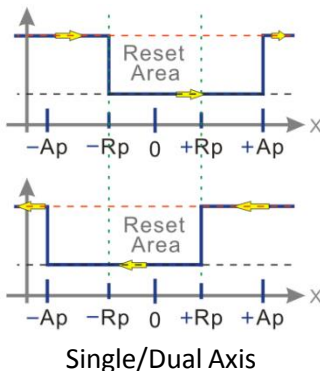
*Unless otherwise specified, $V_s=12\text{VDC}$, $T_C=25^\circ\text{C}$

ELECTRICAL AND ENVIRONMENTAL PARAMETERS

Parameters	MIN	Typical values	MAX
Supply power	9V (DC)	12V (DC)	36V (DC)
Current	10mA	12mA	14mA
Work Temp.	-40°C		85°C
Storage Temp.	-55°C		125°C
Vibration	50g@11ms (rms)		
Shock	1000,1msec,1/2sine		

*Accept VDC 9~36 or VAC 6~24 power supply, more than this range will be possible to cause permanent damage to the product, and not in the scope of the warranty.

OPERATION

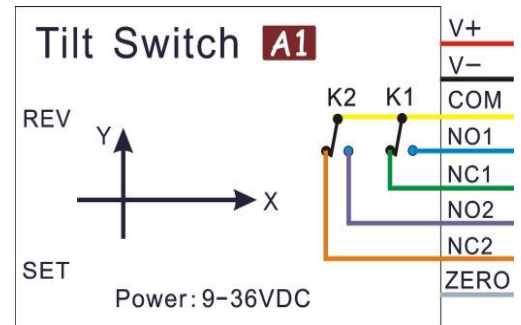


Set Alarm (A_p)
Set Reset Area(R_p)

From zero to A_p , Output $> A_p$,
Relay is on;
From A_p to zero, Output $< R_p$,
Relay is off.

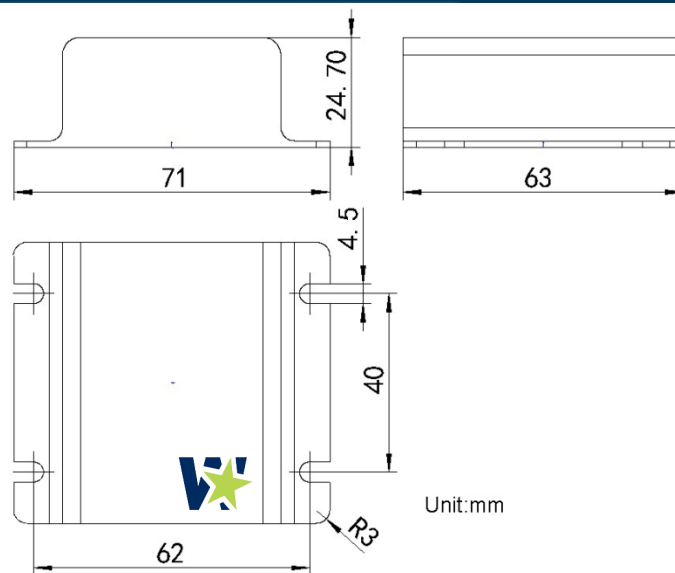
CONNECTION DEFINITION AND FUNCTION DIAGRAM

V+	Positive power
V-	Negative power
COM	Internal relay common end
NO1	1#(X Axis) Relay normally open output
NC1	1#(X Axis) Relay normally closed output
NO2	2#(Y Axis) Relay normally open output
NC2	2#(Y Axis) Relay normally closed output
ZERO	The V- pin is released after one second contact with the foot, and the current position of the dip switch is zero.



Functional diagram

DIMENSIONS



Unit:mm

WARRANTY

- The date of the product from the factory warranty for 1 year, the damage suffered as a result not covered under warranty:
 - Removal of artificial modification.
 - Not required the use (such as supply voltage overload, short circuit, etc.) within the scope outlined in the manual.
- In order to avoid a greater impact on your normal work but also delays the warranty period, please return the product to the factory, we will provide you with quality and efficient service.
- Nova reserves the rights to improve products, product specifications and design are subject to change without notice.