

- Internal sealant, high impact 1000g
- Good ability of anti electromagnetic interference
- Ability to resist vibration
- Effective suppression of acceleration vibration and motion
- Measurement is not affected in the motion state
- Good reliability and stability
- Built in power isolation and power polarity protection



Six degree inertial measurement unit compound azimuth (DY600 Series) can measure the six degree of freedom movement of equipment at the same time and provide motion and navigation sensing. It is the use of micro electro mechanical system technology (MEMS) to perceive the linear motion (longitudinal, vertical, horizontal) and the rotational motion of three orthogonal axes (roll, pitch, yaw) along the three orthogonal axes. The linear motion along the three coordinate axes and the rotational motion of the coordinate axis are independent of each other, so there are six degrees of freedom in the space. According to customer requirements, this product was built-in high performance triaxial accelerometer, three single-axis gyroscopes and high precision magnetic compass, with temperature correction function, which can protect products' working performance in the dynamic environment.

APPLICATION

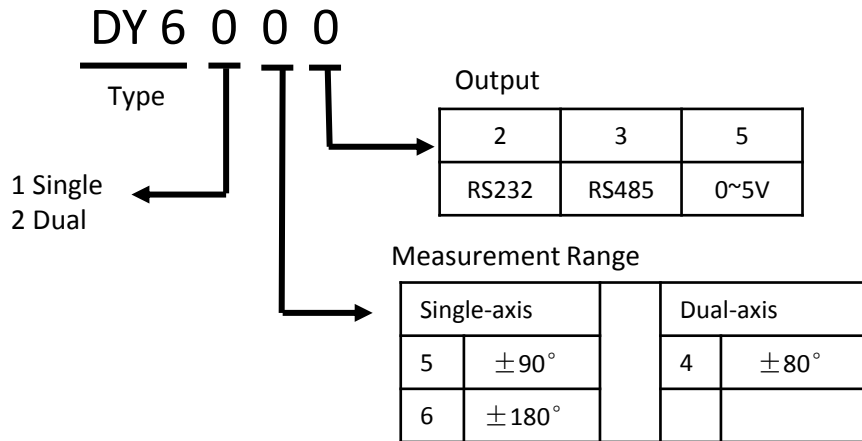
High altitude platform operation safety protection
 Elevator platform control
 Belt wheel angle detection
 Stability control of special vehicle chassis
 Remote attitude control of Internet of things

Vehicle chassis leveling system
 Grade bridge platform
 Crane boom angle control
 Security control system

SPECIFICATION

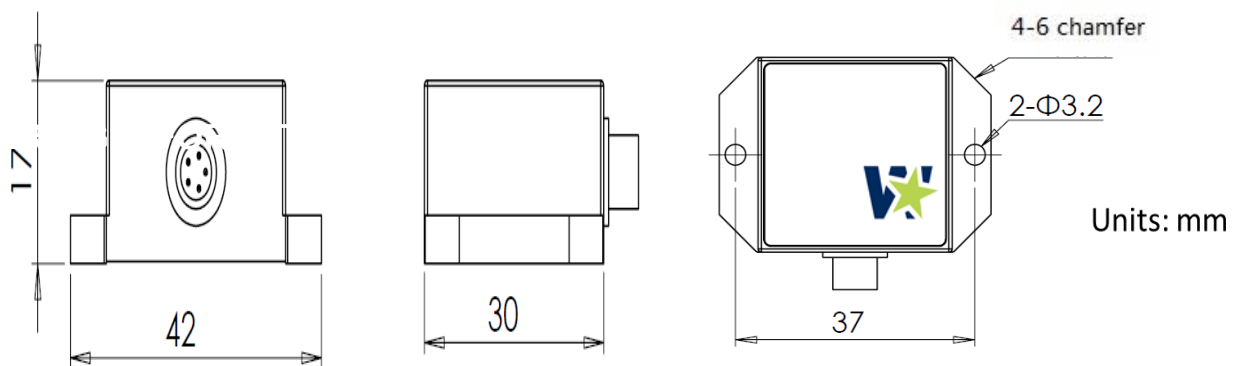
Measurement Range	$\pm 90^\circ$ 、 $\pm 180^\circ$ (Single-axis) $\pm 80^\circ$ (Dual-axis)	Power Supply	8-30V
Repeatability	0.1° (static) 2° (dynamic)	Current	30mA
Setting time	0.1S	Weight	50gram
Nonlinearity	<0.1FS	Operation Temp.	-40~+85°C
Output	0~5V、RS232、RS485	Storage Temp.	-50~+105°C

ORDERING INFORMATION



Eg. DY6255 is dual-axis dynamic angle sensor about $\pm 90^\circ$ range with 0~5V output.

DIMENSIONS



WARRANTY

- The date of the product from the factory warranty for 1 year, the damage suffered as a result not covered under warranty:
 - Removal of artificial modification.
 - Not required the use (such as supply voltage overload, short circuit, etc.) within the scope outlined in the manual.
- In order to avoid a greater impact on your normal work but also delays the warranty period, please return the product to the factory, we will provide you with quality and efficient service.
- Nova reserves the rights to improve products, product specifications and design are subject to change without notice.